

# STORM MEDIUM EXTENSION S150

## DATA

Collection	STORM SYSTEM®
Product	Storm Medium Extension S150
Article no.	1A01.0017.xx

## SPECIFICATIONS

Weight	8.8 oz / 35 oz
Material	Aluminium / Brass
Fixture finish	For xx-codes review STORM SYSTEM® - COLOUR CODES >

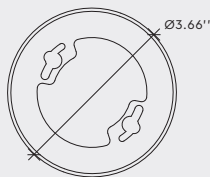
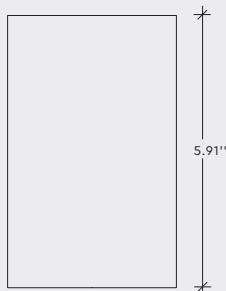
## ADDITIONAL REQUIREMENTS

Fixture	Product from the STORM SYSTEM® MEDIUM collection
---------	--

### STORM SYSTEM®

The Storm Medium Extension S150 is part of the STORM SYSTEM® MEDIUM collection. A collection that includes a wide range of special designed products. The STORM SYSTEM® collection is carefully designed to flush the surface of any ceiling or wall, and all products will appear with an absolute minimum of tolerance and visibility.

Storm Medium Extension S150 is designed for ceilings with no build-in depth. The fixture makes it possible to mount the STORM SYSTEM® MEDIUM collection on to any kind of ceiling.



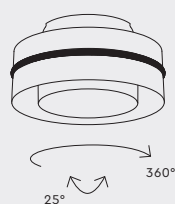
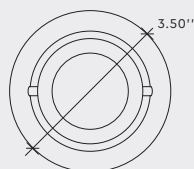
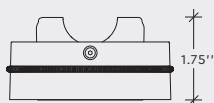
# STORM MEDIUM SHORT 25 cc



## STORM SYSTEM®

The Storm Medium Short 25 is part of the STORM SYSTEM® collection. A collection that includes a wide range of special designed products. The STORM SYSTEM® collection is carefully designed to flush the surface of any ceiling or wall, and all products will appear with an absolute minimum of tolerance and visibility.

Storm Medium Short 25 is designed to rotate 360° and allows a 25° adjustment along the longitudinal axis. It is available in a variation of different colour combinations.



The crossed-out wheeled bin symbol indicates that the item should be disposed of separately from household waste. The item should be handed in for recycling in accordance with local environmental regulations for waste disposal

For more information, please contact [info@onea.dk](mailto:info@onea.dk)

## DATA

Collection	STORM SYSTEM®
Product	Storm Medium Short 25 – Constant Current
Article no.	1N01.0141.xx04

## SPECIFICATIONS

Weight	10.6 oz
Material	Aluminium / Brass (varnished or weathered)
IP protection grade	IP20
Labelling	



Conforms to ANSI/UL  
Std. UL 2108:2015

Cert. to CAN/CSA  
Std. CSA C22.2#250.13:2017

**Intertek**  
5005519

Safety distance	0,3m
Supply	Constant Current max. rating 15W
Insulation class	Class III
Fixture finish	For xx-codes review STORM SYSTEM® – COLOUR CODES ➤

## ADDITIONAL REQUIREMENTS

Light Source & Junction Kit	MR16 LED (light source not included) review STORM SYSTEM® – CONFIGURATION ➤
	For IES/LDT lux files review STORM SYSTEM® – LUX FILES ➤
	NOTE: when using honey combs the lumen output will be reduced with 30% in efficiency
	This product shall always be powered by SELV LED driver, output voltage of this driver in open circuit must not exceed 60V. Do NOT cover the LED driver or locate LED driver on top of light fixture.
	For further support contact LITES ON WEST 245 West 29th Street, 6th floor   NY, NY 10001 T: 212 775 6363   F: 212 775 0355 E: <a href="mailto:info@litesonwest.com">info@litesonwest.com</a>

## OPTIONAL ACCESSORIES

Black Honeycomb	1AK.0080.02
Silver Honeycomb	1AK.0080.98

## INSTALLATION DEPTH

The installation depth may vary depending on the chosen light source.

For specific light source conditions

– review STORM SYSTEM® – INSTALLATION DEPTH ➤



#### IMPORTANT INFORMATION

Installation and mounting must be performed by skilled personnel only, and instructions must be followed.

#### CLEANING AND MAINTENANCE:

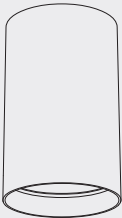
Use a soft moist cloth for cleaning. No further maintenance is required.

#### WARRANTY:

If the product is defect, please contact your supplier immediately. Please note that warranty will not apply in case of wrongful use or if unskilled personnel attempts to repair.

#### COMPONENTS

- Storm Medium CC Base
- Storm Medium Extension S150/S350



#### PLEASE NOTE:

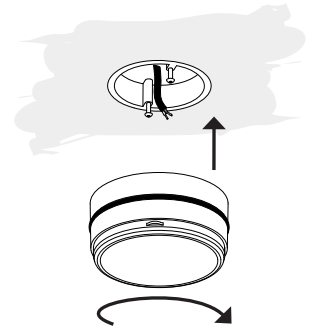
If the spring on the fixture is damaged, do not proceed installation – contact your dealer!

## STORM MEDIUM EXTENSION S150/S350

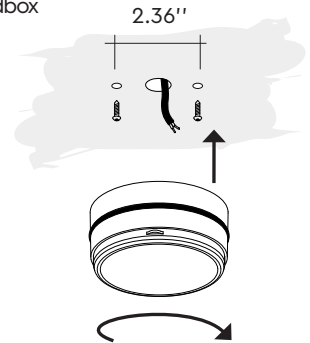
### ASSEMBLY INSTRUCTION

#### STEP 1

Mount the fixture onto the ceiling, by placing the Storm CC Base over the screws and slightly rotating, then tighten the screws.



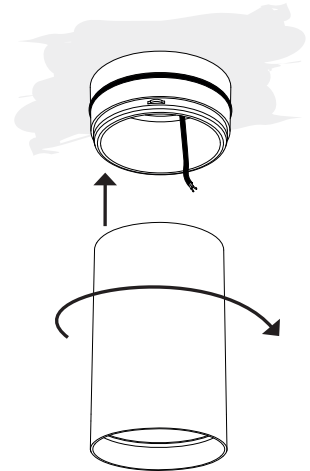
Assembly without standardbox



#### STEP 2

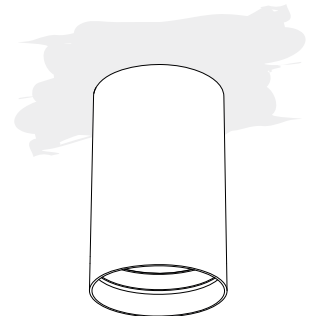
Then mount the Storm Extension S150/S350 tube onto the Storm CC Base, by gently rotating into place.

NOTE: When rotating the fixture choose the direction with the least resistance.



#### STEP 3

Mount the chosen fixture/light source according to the accompanying assembly instructions



**IMPORTANT INFORMATION**

Disassembly must be performed by skilled personnel only, and instructions must be followed.

**WARRANTY:**

If the product is defect, please contact your supplier immediately. Please note that warranty will not apply in case of wrongful use or if unskilled personnel attempts to repair.

# STORM MEDIUM EXTENSION S150/S350

## DISASSEMBLY INSTRUCTION

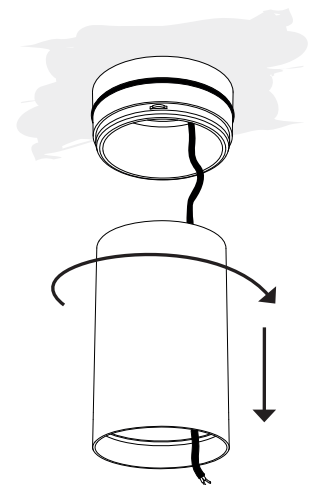
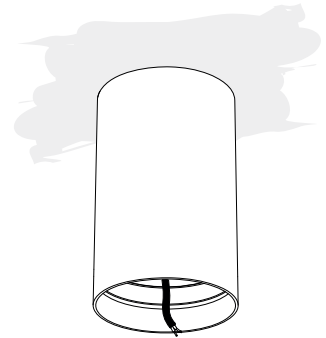
**STEP 1**

Disconnect the bottom fixture according to the fixtures disassembly instruction's.

**STEP 2**

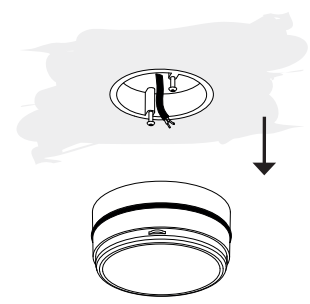
To dismount, gently pull down on the Storm Extension S150/S350 Tube, whilst slightly rotating.

**NOTE:** When rotating the fixture choose the direction with the least resistance.

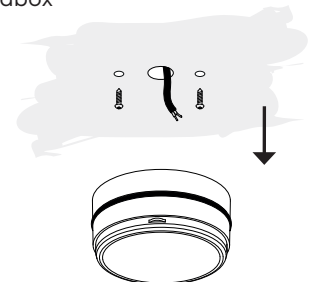


**STEP 2**

Loosen the screws, then slightly rotate and gently pull down.



Assembly without standardbox



#### IMPORTANT INFORMATION

Disassembly must be performed by a certified electrician only, and instructions must be followed.

#### WARRANTY:

If the product is defect, please contact your supplier immediately. Please note that warranty will not apply in case of wrongful use or if unskilled personnel attempts to repair.

## STORM MEDIUM SHORT 25

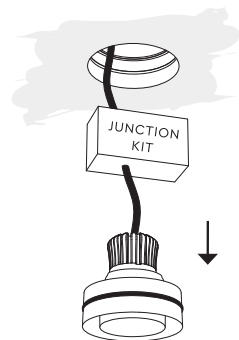
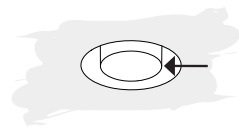
### DISASSEMBLY INSTRUCTION

#### STEP 1

##### **Make sure main power is off!**

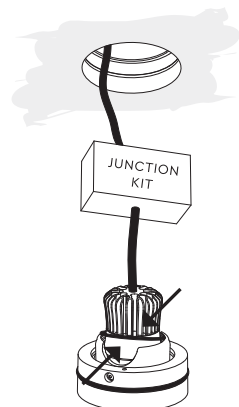
Take hold of the fixture and pull down gently, whilst slightly rotating.

NOTE: When rotating the fixture choose the direction with the least resistance.



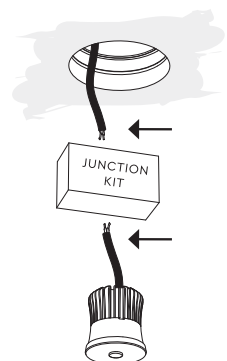
#### STEP 2

Remove the retaining ring using light pressure.



#### STEP 2

Disconnect the cables





# LIGHT ENGINE configuration

## CONSTANT CURRENT

LIGHT ENGINE

120 V

12V

GU5.3

GU10

GU5.3

5W >

- 2700K
- 3000K
- D2W

5W >

- 2700K
- 3000K
- D2W

11W >

- 2700K
- 3000K
- D2W

15W >

- 3000K

8W >

8W >

8W >

MR11

MR16

## INTEGRATED LIGHT ENGINES

MEDIUM MOON >

MEDIUM SUN >

MEDIUM HOOK >

MEDIUM PLUTO >

MEDIUM VENUS >

SMALL MOON >

SMALL SUN >

SMALL OUT >

SMALL ART >

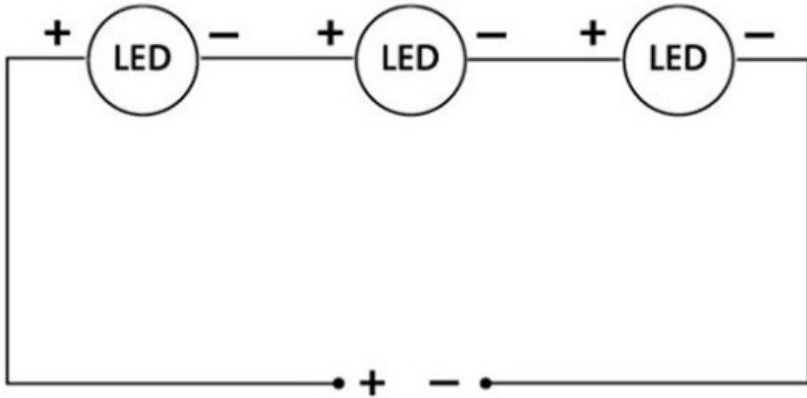
# MULTIPLE CONNECTION CHART

These charts visualize multiple connections and the risks involved when using these installation methods.  
ONE A does not recommend multiple connection installation methods due to risk of unpredictable output and overload.  
ONE A recommends one driver per LED light engine (or one driver channel in case of a multi-channel driver)

## SERIES CONNECTION

Current = LED current

Voltage = LED forward voltage x no. of LEDs



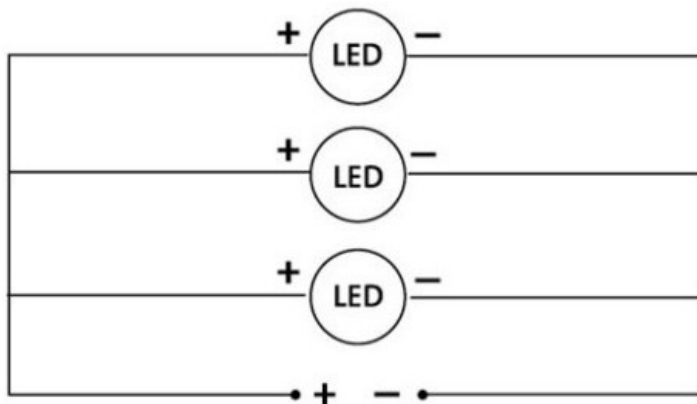
If one LED is broken the remaining LEDs will not work – due to inner circuit.  
You have to check the LEDs one by one to find which LED has failed and needs to be replaced.

**Challenge:** the sum of forward voltages for multiple LEDs can easily exceed the max. voltage of the driver, as most drivers have a max. of 60V

## PARALLEL CONNECTION

Current = LED current x no. of LEDs

Voltage = LED forward voltage



If one LED is broken, the remaining LEDs will have a higher current, which will result in failure.

You can instantly see which LED is broken, and therefore which one needs to be replaced.

**Challenge:** In case of current overload, the lifetime of the remaining LEDs will be exponentially reduced.